



FEATURES AND SPECIFICATIONS

Features and Benefits

- 2 to 21 circuits
- Industry-standard interface
- Superior pin retention

Electrical

Voltage: 300 V
 Maximum Current: 12 Amp
 Insulation Resistance: >5,000 Megaohms

Mechanical

Operating Temperature: 130°C

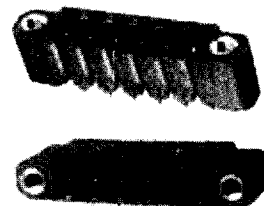
Physical

Housing: Polyester PBTP, UL94 V-0, black
 Contact: Brass
 Contact Plating: Tin
 Retention Insert: 2.5mm Brass

3.81mm (.150") Pitch
Beau Eurostyle®
PCB Pin Header

39900, 39901

Polarized w/ Retention Inserts

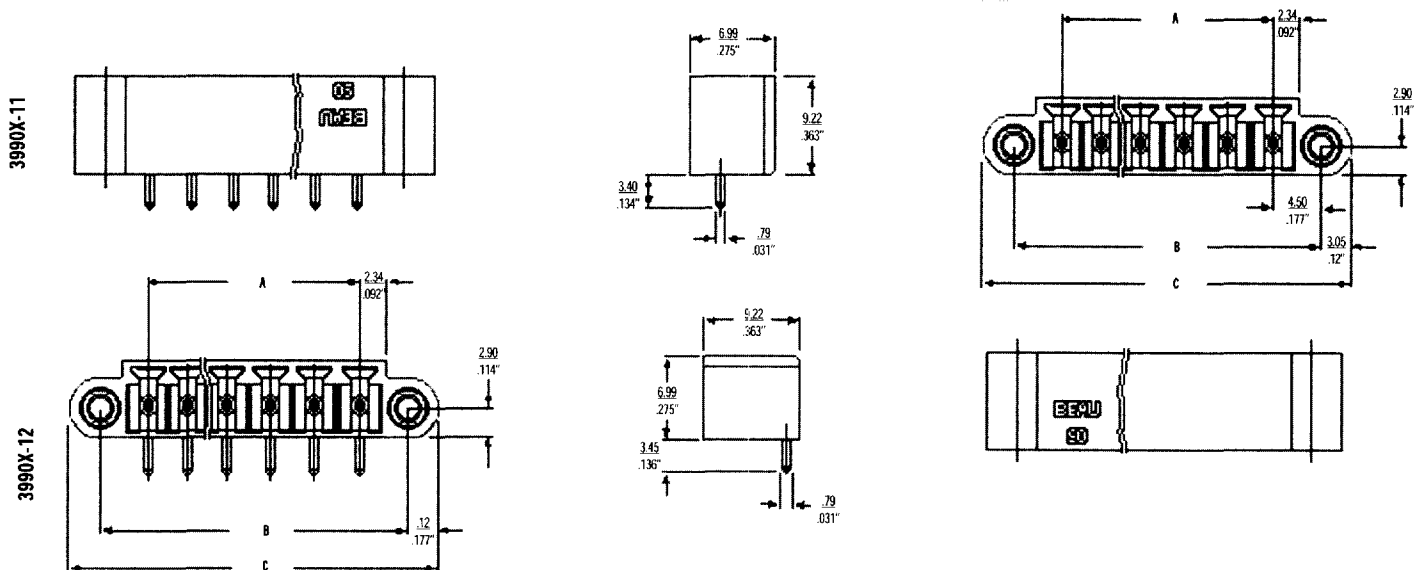


90 Series

Reference Information

UL : File No. E48521
 Guide No. XCFR2
 CSA: File No. 025562

CATALOG DRAWING (FOR REFERENCE ONLY)



ORDERING INFORMATION AND DIMENSIONS

Order # (Engineering #) Replace XX with # of circuits, 02-21

Forward		Rearward	
Tin Plated	Gold Plated	Tin Plated	Gold Plated
39900-11XX (9056XX)	39901-11XX (9056XX-G30)	39900-12XX (9059XX)	39901-12XX (9059XX-G30)

# of Circuits	A		B		C		# of Circuits	A		B		C	
	in	mm	in	mm	in	mm		in	mm	in	mm	in	mm
2	.15	3.8	.50	12.8	.74	18.9	12	1.65	41.9	2.00	50.9	2.24	57.0
3	.30	7.6	.65	16.6	.88	22.7	13	1.80	45.8	2.15	54.7	2.39	60.8
4	.45	11.4	.80	20.4	1.04	26.5	14	1.95	49.6	2.30	58.5	2.54	64.6
5	.60	15.2	.95	24.2	1.19	30.3	15	2.10	53.4	2.45	62.3	2.69	68.4
6	.75	19.1	1.10	28.0	1.34	34.1	16	2.25	57.2	2.60	66.1	2.84	72.2
7	.90	22.9	1.25	31.9	1.49	37.9	17	2.40	61.0	2.75	70.0	2.99	76.0
8	1.05	26.7	1.40	35.7	1.64	41.7	18	2.55	64.8	2.90	73.8	3.14	79.8
9	1.20	30.5	1.55	39.5	1.79	45.5	19	2.70	68.6	3.05	77.6	3.29	83.6
10	1.35	34.3	1.70	43.3	1.94	49.4	20	2.85	72.4	3.20	81.4	3.44	87.5
11	1.50	38.1	1.85	47.1	2.09	53.2	21	3.00	76.3	3.35	85.2	3.59	91.3

*Consult factory for imprinting and other options